



FREESTANDING GUARDRAILS

The roof guardrail system from Delta Prevention is extremely popular for permanently eliminating your roof fall hazards. Thanks to multiple configurations available, they are the most versatile on the market.



FEATURES

- No damage to the roof because 100% freestanding
- Aluminum tubing prevents peeling paint
- High adhesion recycled rubber base that can be installed directly on the membrane
- Ultimate resistance to rust and deterioration caused by rain, temperature changes and acidic environments
- Quick and easy installation on roofs with or without parapet
- Compliance report included
- 10 year warranty
- Made in Canada
- Complies with NBC, OBC, Worksafe BC and OSHA standards

VSS CLASSIC VSS COMPACT



Linear configuration to secure between a minimum of 10 feet up to your entire perimeter without any return. Can be installed at an angle to lower the visual impact on your building.

The best choice for:

- Long sections
- Roof without parapet
- Unobtrusive appearance (low profile bases)

Application:

- Medium-large HVAC
- Access ladder protection



Ideal configuration when floor space is reduced between the units to be protected and the parapet. A return of only 5 feet is required at each end, regardless of length, and at 40 foot intervals when there is no parapet.

The best choice for:

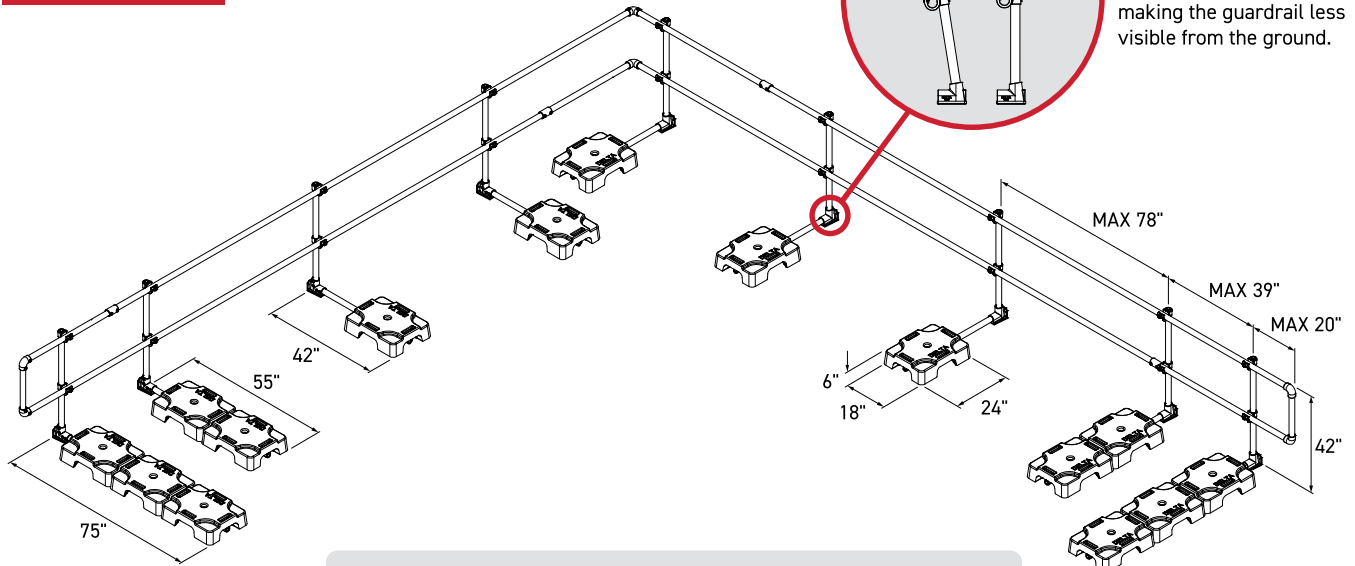
- Restricted space
- Use with permanent warning line
- Closed perimeter
- Temporary installation

Application:

- Snow chutes
- Small HVAC
- Skylights

TYPES OF INSTALLATION

VSS CLASSIC

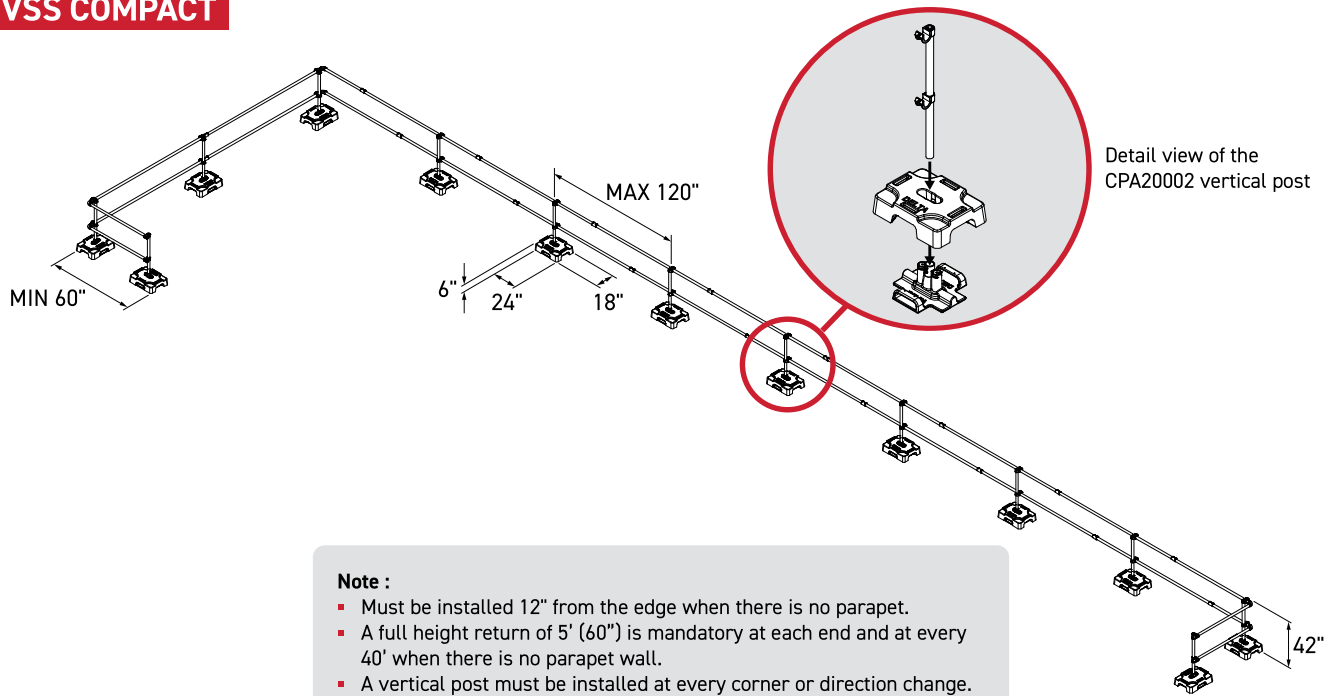


The GA200 clamp allows a 10° angled installation making the guardrail less visible from the ground.

Note :

- The "D" finish allows a maximum extension of 20 inches.
- The ends of the VSS Classic system are always composed of a DCS-3 and a DCS-2, located 39 inches apart.
- The measurements shown represent the maximum lengths between two vertical posts (78").
- Must be installed at 12" from the edge when there is no parapet.

VSS COMPACT



Detail view of the CPA20002 vertical post

Note :

- Must be installed 12" from the edge when there is no parapet.
- A full height return of 5' (60") is mandatory at each end and at every 40' when there is no parapet wall.
- A vertical post must be installed at every corner or direction change.
- The measurements shown represent the maximum lengths between two vertical posts (120").

TECHNICAL SHEET

	VSS Classic	VSS Compact
Minimum length:	120"	120"
Height:	42"	42"
Max distance between upright:	78"	120"
Full height return:	none required	at each end and at each 40' on roofs without parapet wall
Counterweight:	50 lb/base	50 lb/base
Counterweight dimensions:	24" x 18" x 6"	24" x 18" x 6"
Counterweight material:	recycled rubber	recycled rubber, galvanized cast iron with rubber mat
Railing & upright material:	6061-T6 anodized aluminum	6061-T6 anodized aluminum
Railing & upright OD:	1,9"	1,9"
Junction & clamp material:	galvanized steel	galvanized steel
Hardware material:	stainless steel	stainless steel
Set screw torque:	30 lb/ft (except GA201-01: 20 lb/ft)	30 lb/ft (except GA201-01: 20 lb/ft)
Compatibility with VSS SafetyLine:	yes	yes
Usage:	permanent, temporary	permanent, temporary
Design patent:	#162630	#162630
Complies with:	RSST: 12 NBC: 4.1.5.14 OSHA: 1926.502, 1926.501 Ontario Building Code: 4.1.5.14 WorkSafeBC: 11.2	RSST: 12 NBC: 4.1.5.14 OSHA: 1926.502, 1926.501 Ontario Building Code: 4.1.5.14 WorkSafeBC: 11.2
Warranty:	10 year	10 year

ACCESSORIES



Self-closing safety gate

ITEM: GAT24A02
Material: Aluminium



Variable angle clamp

ITEM: GA125-01
Material: Galvanized steel



Wall mount

ITEM: GA131-01
Material: Galvanized steel



Toe board - VSS Classic

ITEM: BAA19-01
Material: Aluminium

COMMON APPLICATIONS



HVAC unit - VSS Classic



Roof drain - VSS Compact



TPO roof - VSS Compact



Ballasted roof - VSS Classic



Roof drains - VSS Classic



Access staircase - VSS Classic



Sloping roof - VSS Classic



HVAC unit - VSS Compact



HVAC unit - VSS Compact



Roof with angle - VSS Classic